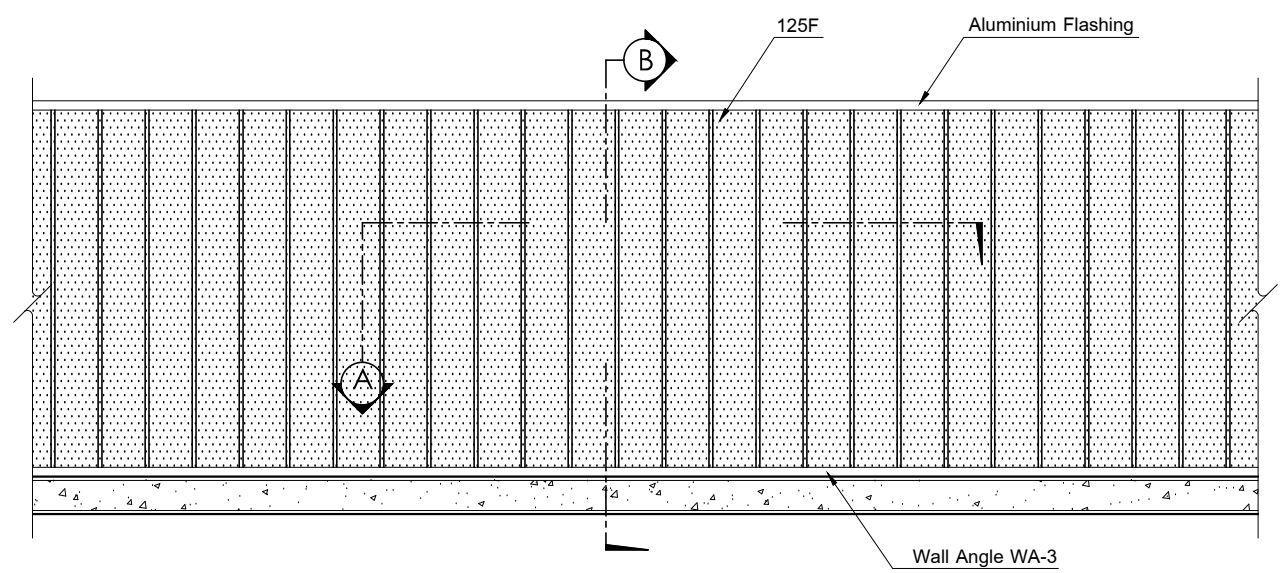
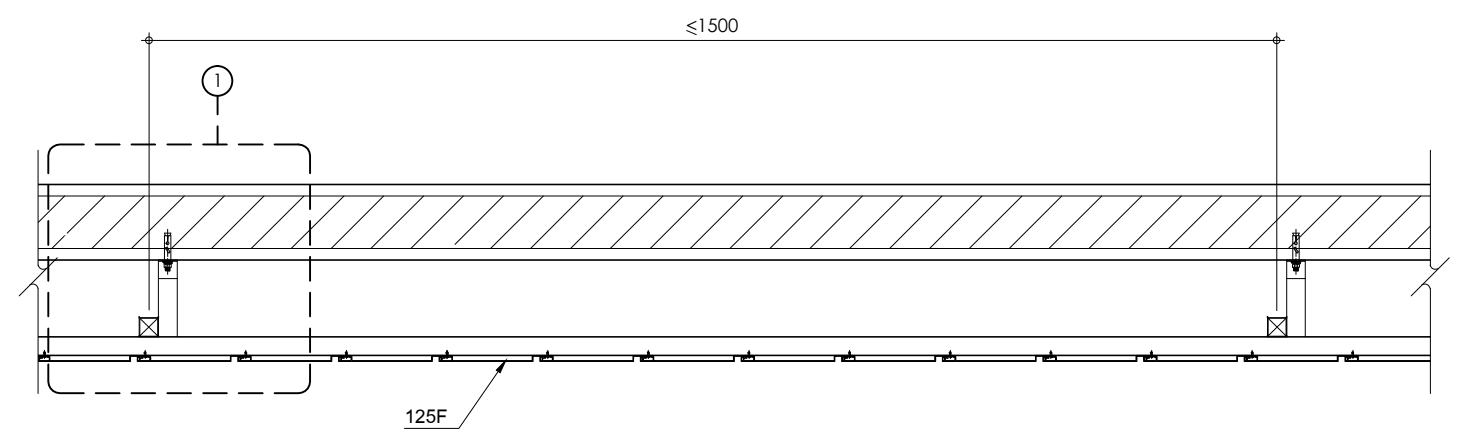


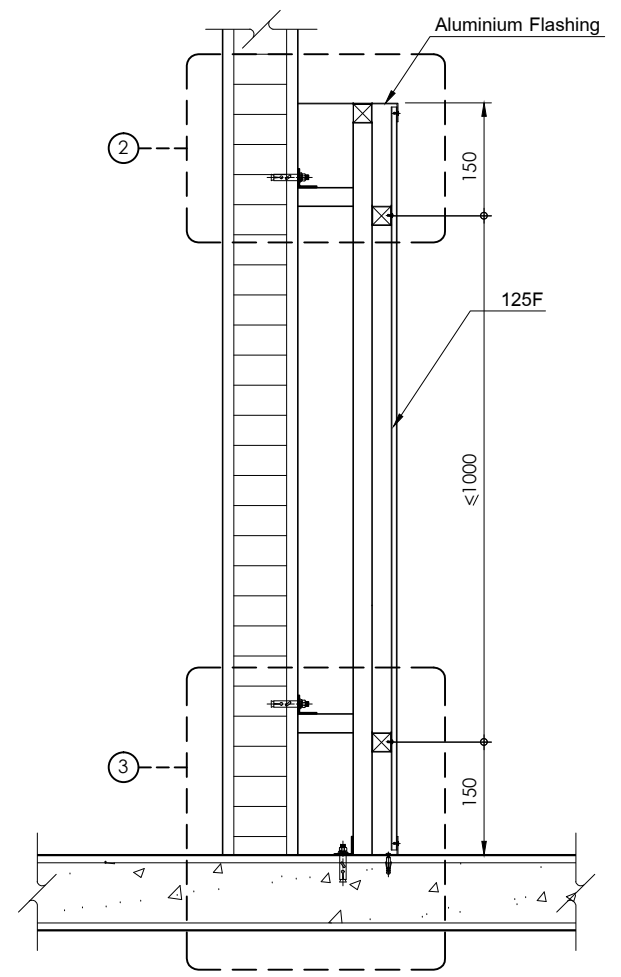
REVISION	DESCRIPTION	DATE	CHECKED
△			



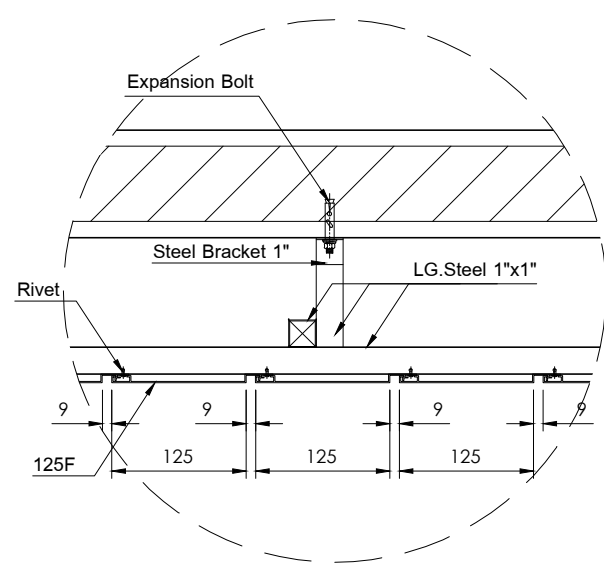
DETAIL ELEVATION  
SCALE 1:20



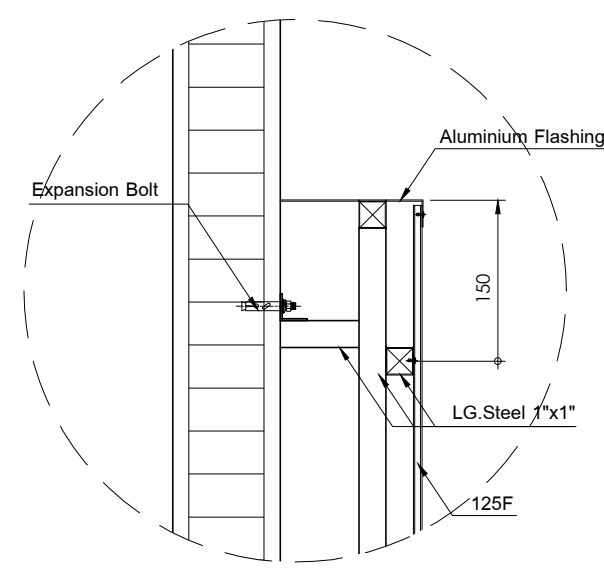
SECTION A  
SCALE 1:10



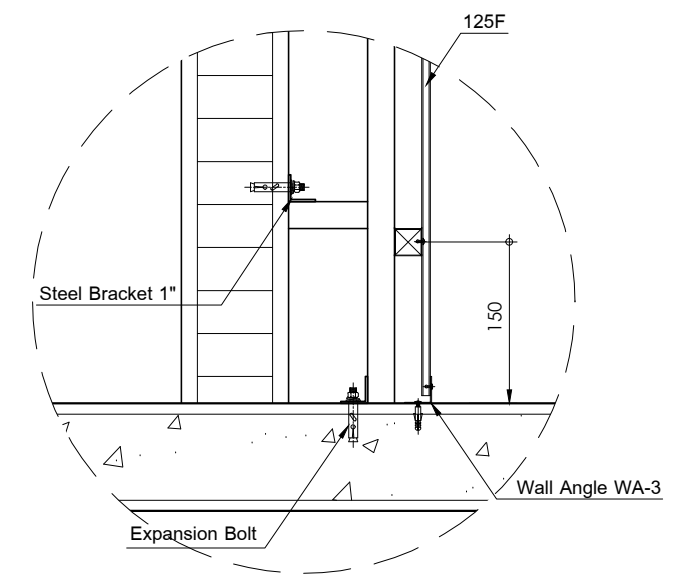
SECTION B  
SCALE 1:10



DETAIL 1  
SCALE 1:5



DETAIL 2  
SCALE 1:5



DETAIL 3  
SCALE 1:5

<p>ARCHITECTURAL PRODUCTS WARNING: ALL DESIGN AND DRAWING ARE PROPERTY OF FAMELINE PRODUCTS CO.,LTD. CANNOT BE USED WITHOUT THEIR PERMISSION</p>	PROJECT :	REFERENCE :	CHECKED	DRAWN BY :		DWG. NO.
	STANDARD DRAWING	DSR No. -	BY	ISSUE : 0	DATE : 00/00/0000	00 / SH-00
	TITLE :	Revision : 0	APPROVED	SCALE :	REVISION 0	TOTAL
	125F		BY (PDM)			0