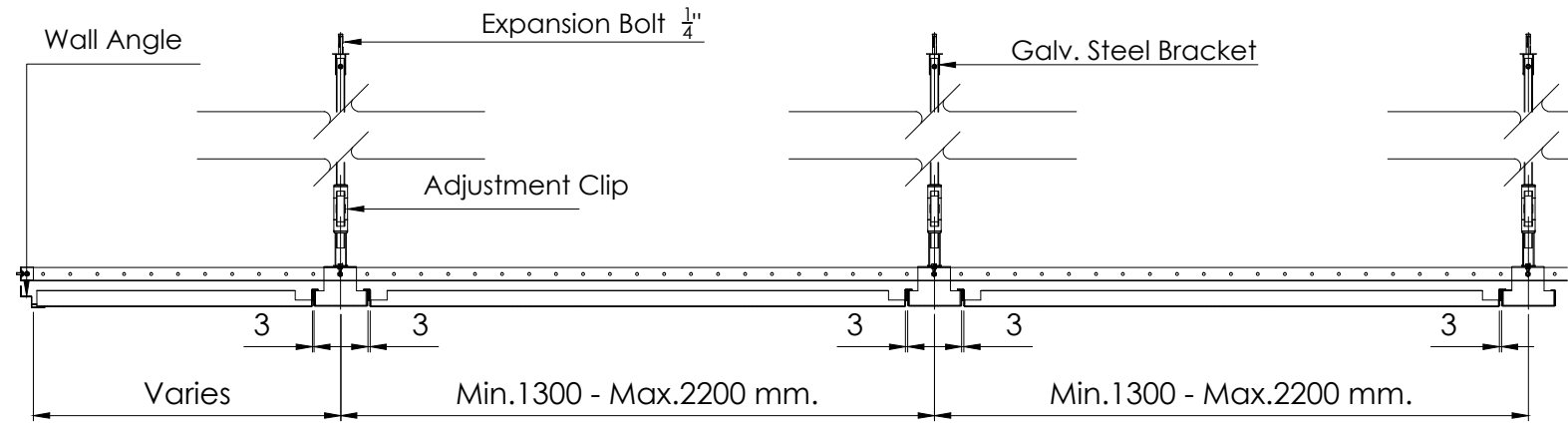
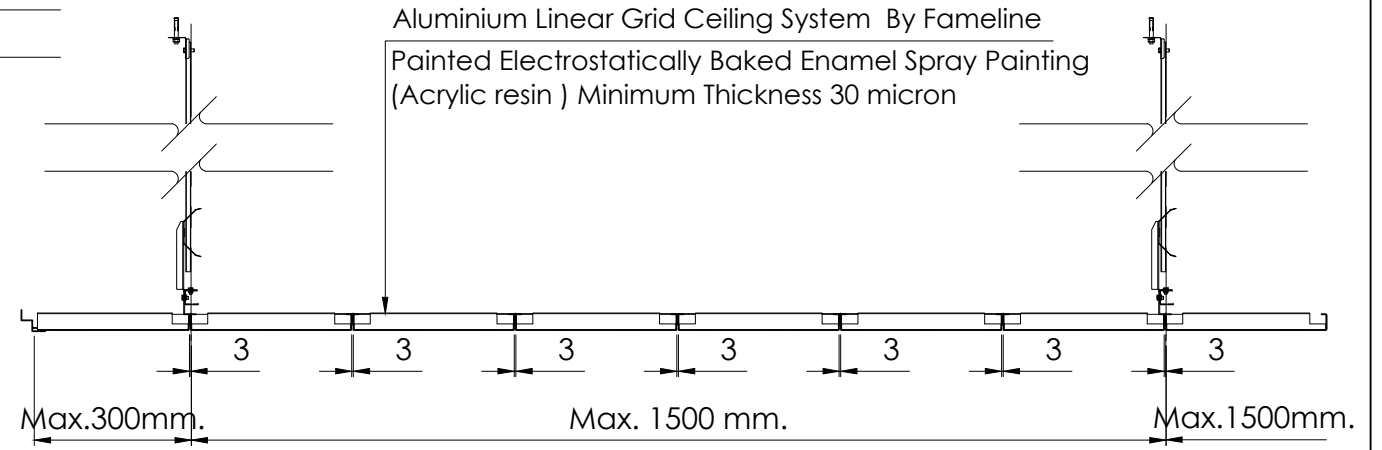


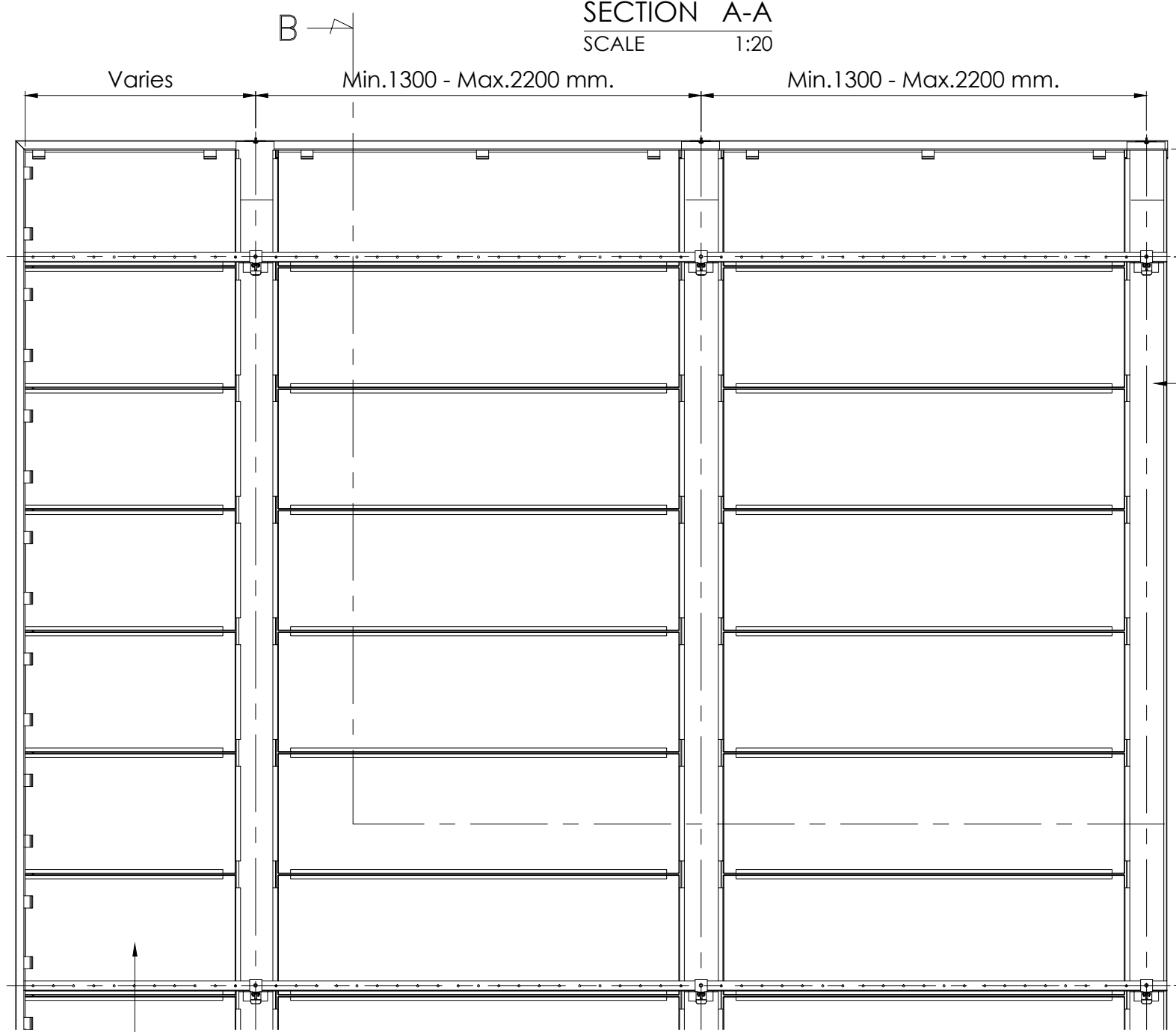
REVISION	DESCRIPTION	DATE	CHECKED
1			



SECTION A-A
SCALE 1:20



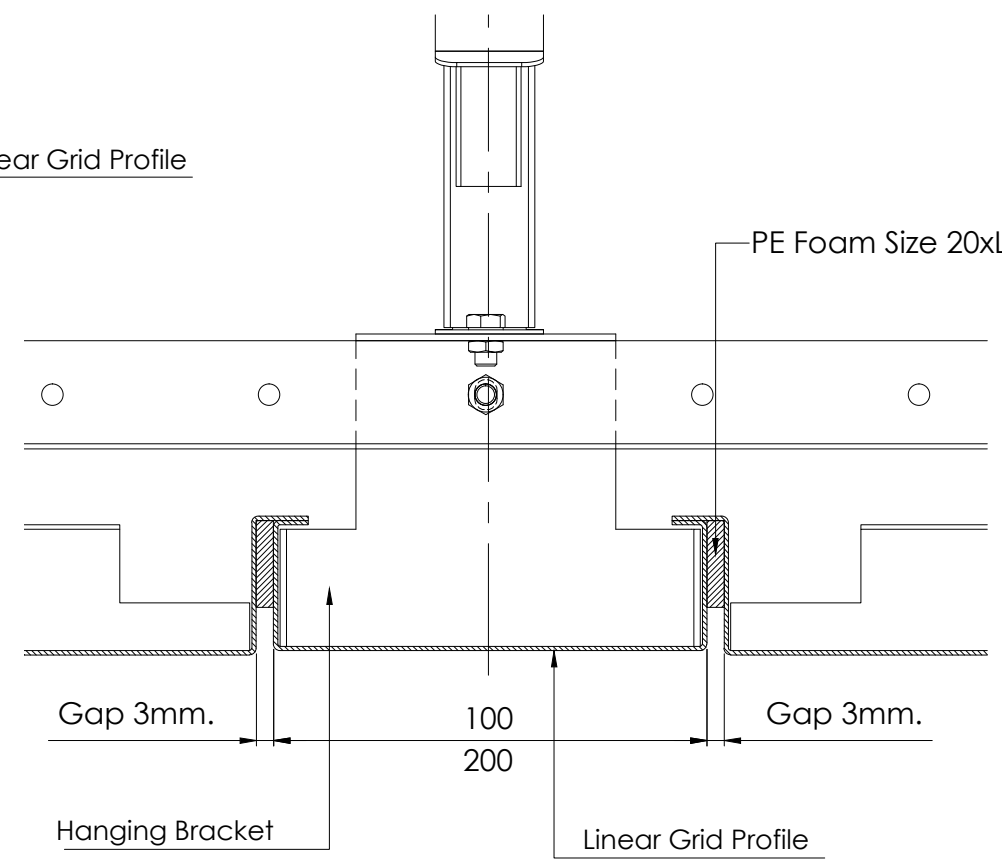
SECTION B-B
SCALE 1:20



TOP VIEW
SCALE 1:20

Linear Grid Profile

PE Foam Size 20xLx3t mm.



DETAIL 1
SCALE 1:2.5

Aluminium Linear Grid Ceiling System By Faneline
Painted Electrostatically Baked Enamel Spray Painting
(Acrylic resin) Minimum Thickness 30 micron

Faneline
ARCHITECTURAL PRODUCTS
WARNING: ALL DESIGN AND DRAWING
ARE PROPERTY OF FANELINE PRODUCTS CO.,LTD.
CANNOT USED WITHOUT THEIR PERMISSION

PROJECT : Standard drawing	REFERENCE : DSR No. - Revision : 0	CHECKED BY APPROVED BY (PDM)	DRAWN BY : B. VUDHICHAJ ISSUE : 0 SCALE:1:1	DATE : 10/08/2010 REVISION 0	DWG. NO. 00 / SH-01 TOTAL 0
-------------------------------	--	---------------------------------------	---	---------------------------------	--------------------------------------