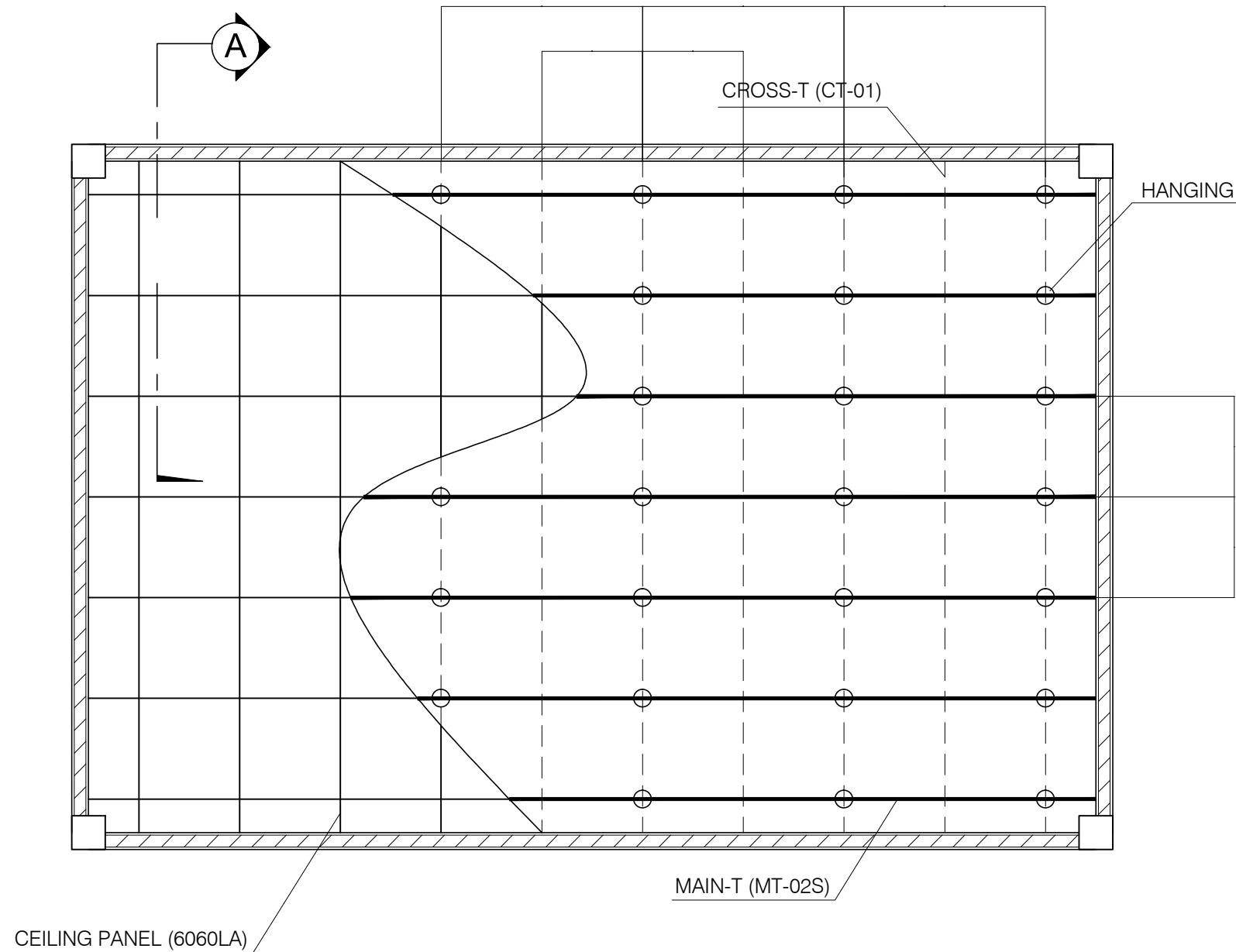
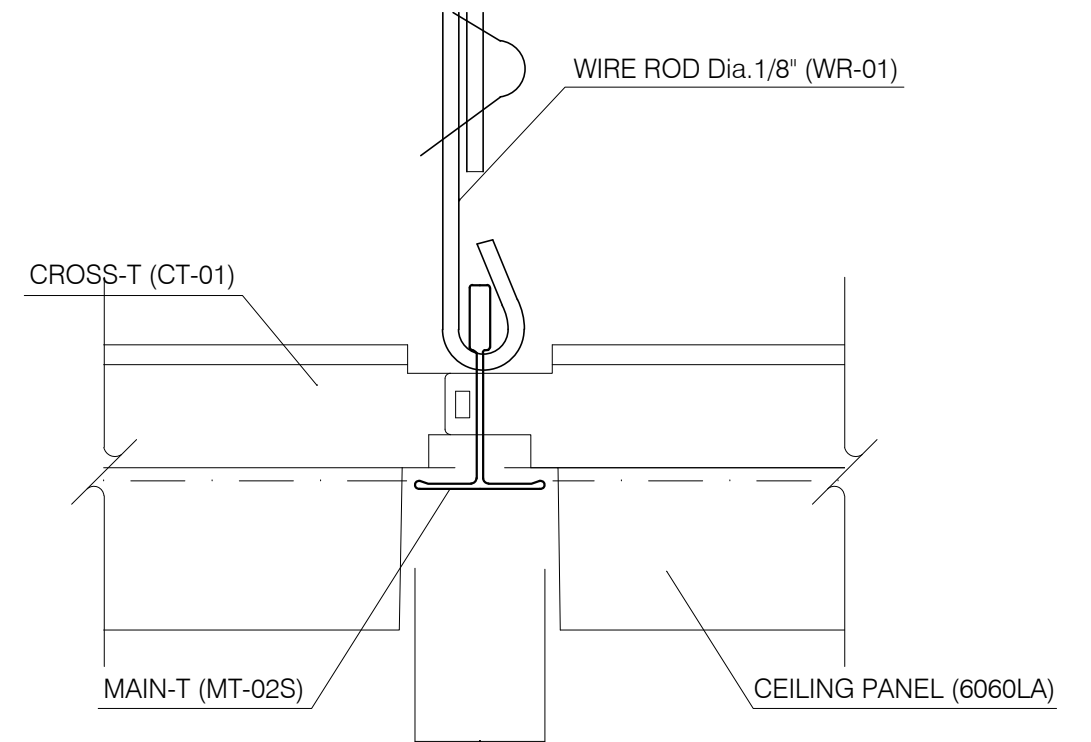


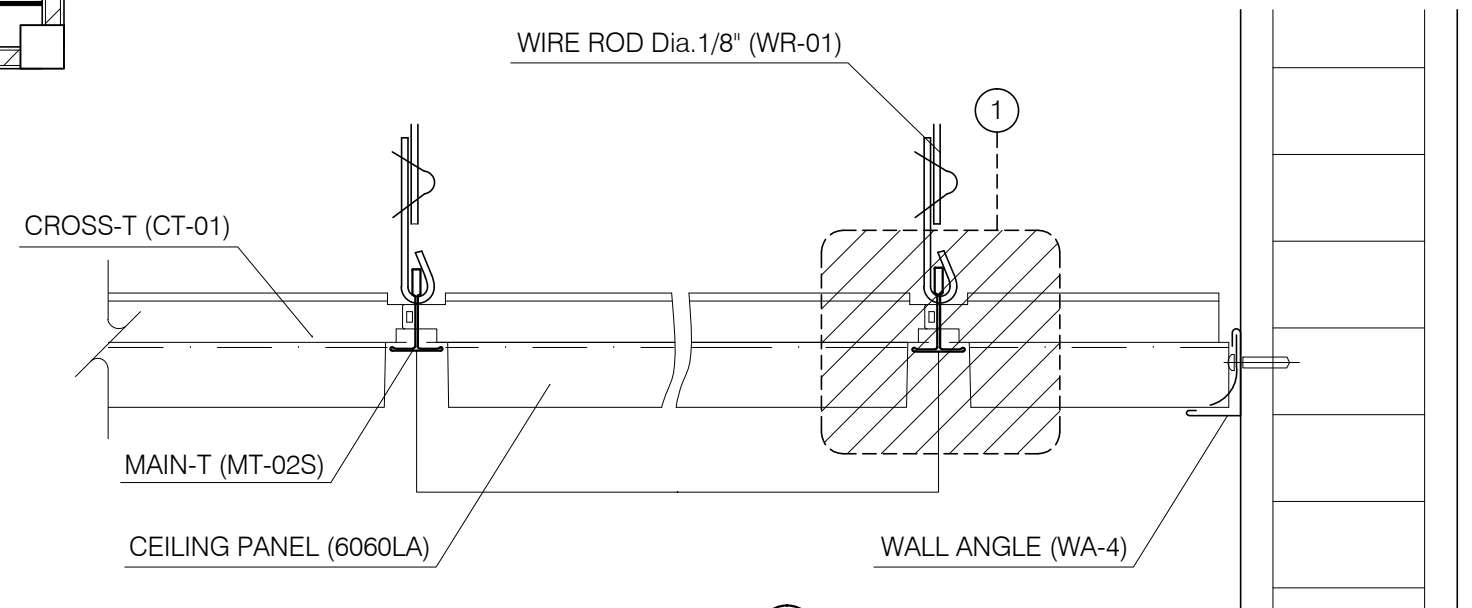
REVISION	DESCRIPTION	DATE	CHECKED
①			



PLAN  
SCALE 1:50




DETAIL ①  
SCALE 1:2



SECTION A  
SCALE 1:5

FOR INFORMATION ONLY  
NOT FINAL DESIGN

 ARCHITECTURAL PRODUCTS WARNING: ALL DESIGN AND DRAWING ARE PROPERTY OF FAMELINE PRODUCTS CO.,LTD. CANNOT USED WITHOUT THEIR PERMISSION	PROJECT :	REFERENCE :	APPROVED	DRAWN BY : --		DWG. NO.
	TITLE : 6060LA	DSR No. -	PDM.	ISSUE : --	DATE : --	00 / SH-00
		Revision : 0		SCALE:1:1	REVISION 0	TOTAL 0