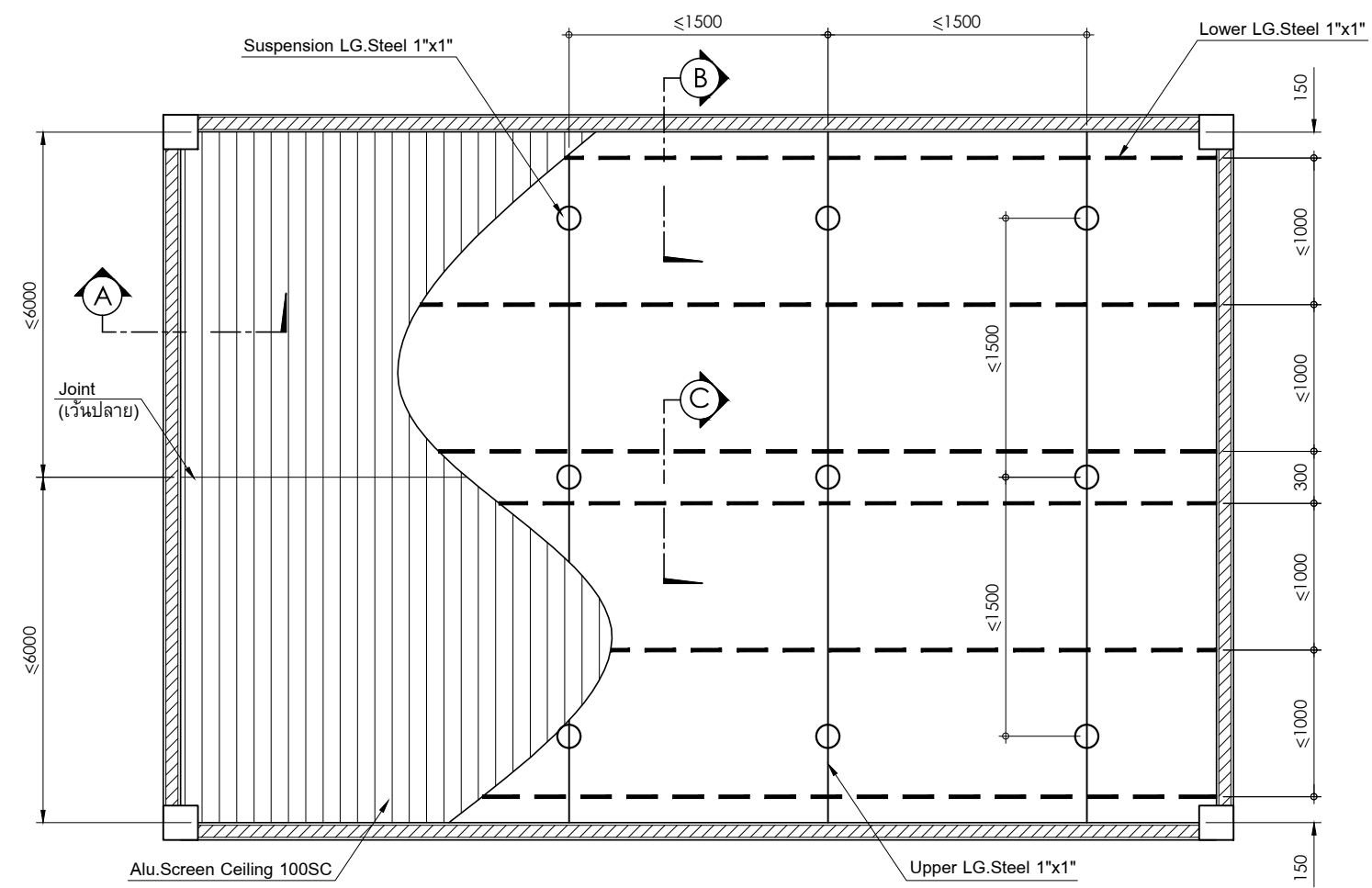
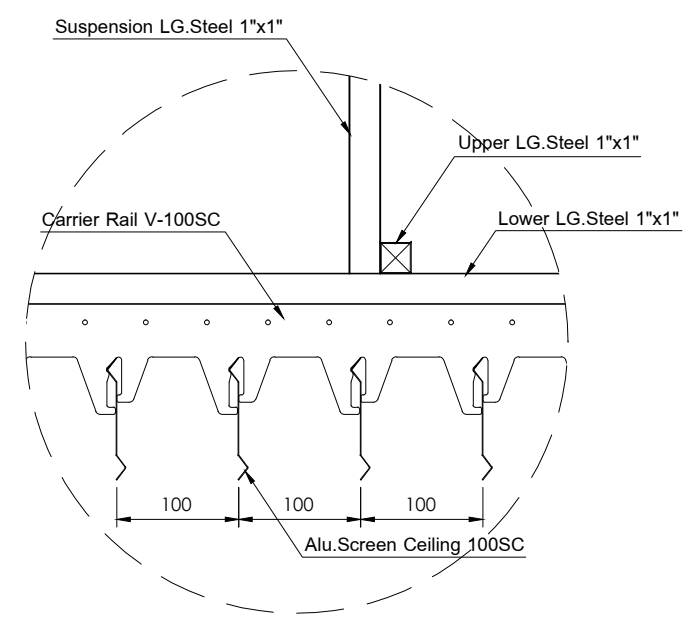


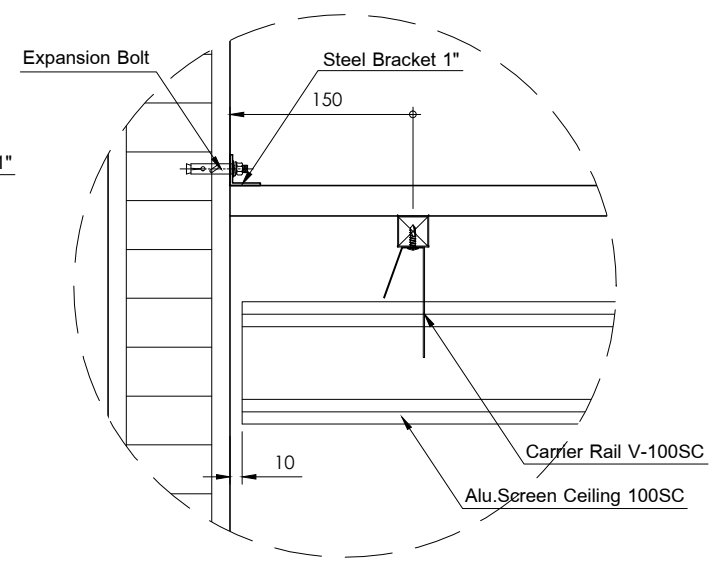
REVISION	DESCRIPTION	DATE	CHECKED
△			



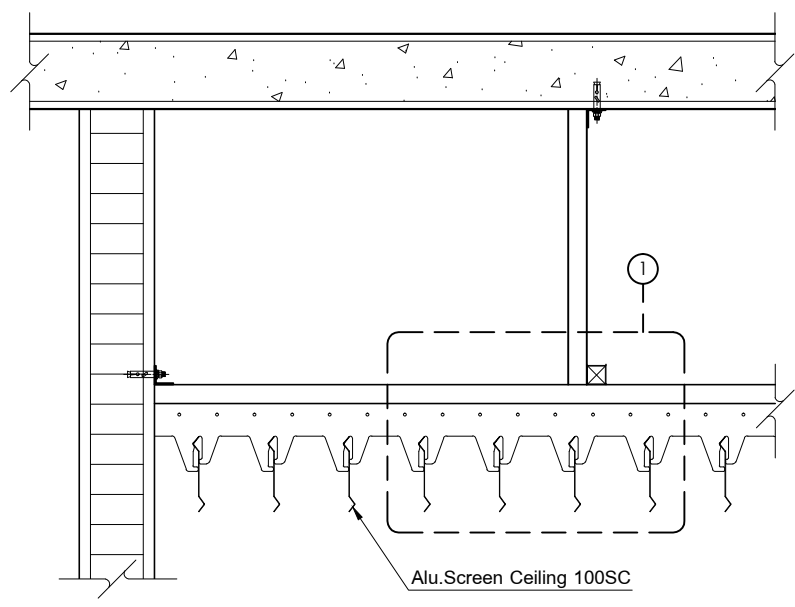
CEILING PLAN
SCALE 1:40



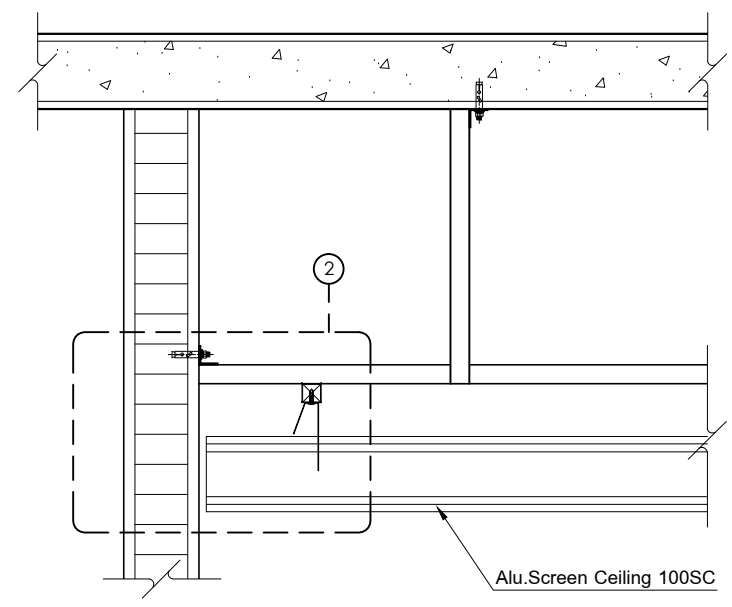
DETAIL ①
SCALE 1:5



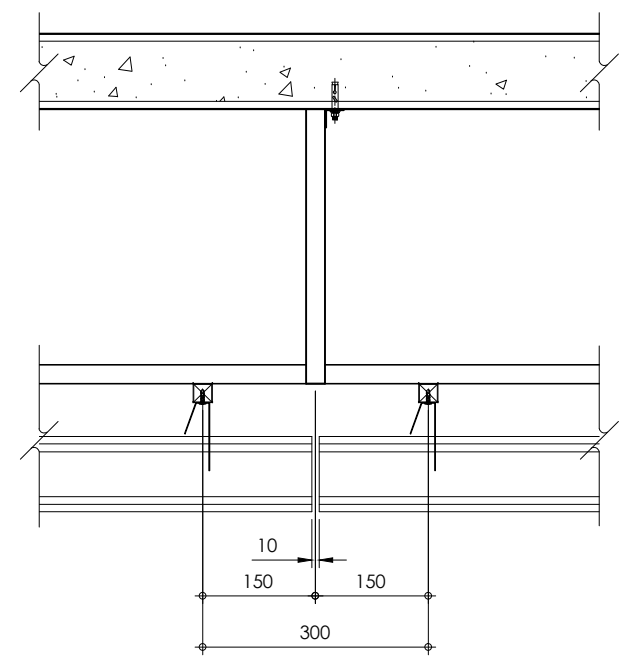
DETAIL ②
SCALE 1:5



SECTION A
SCALE 1:10



SECTION B
SCALE 1:10



SECTION C
SCALE 1:10

<p>Fameline ARCHITECTURAL PRODUCTS WARNING: ALL DESIGN AND DRAWING ARE PROPERTY OF FAMELINE PRODUCTS CO.,LTD. CANNOT USED WITHOUT THEIR PERMISSION</p>	PROJECT : STANDARD DRAWING	REFERENCE : DSR No. -	CHECKED BY	DRAWN BY :		DWG. NO. 00 / SH-00	
	TITLE : SCREEN CEILING 100SC/V-100SC	Revision : 0	APPROVED BY (PDM)	ISSUE : 0	DATE : 00/00/0000	TOTAL 0	
			SCALE :	REVISION 0			