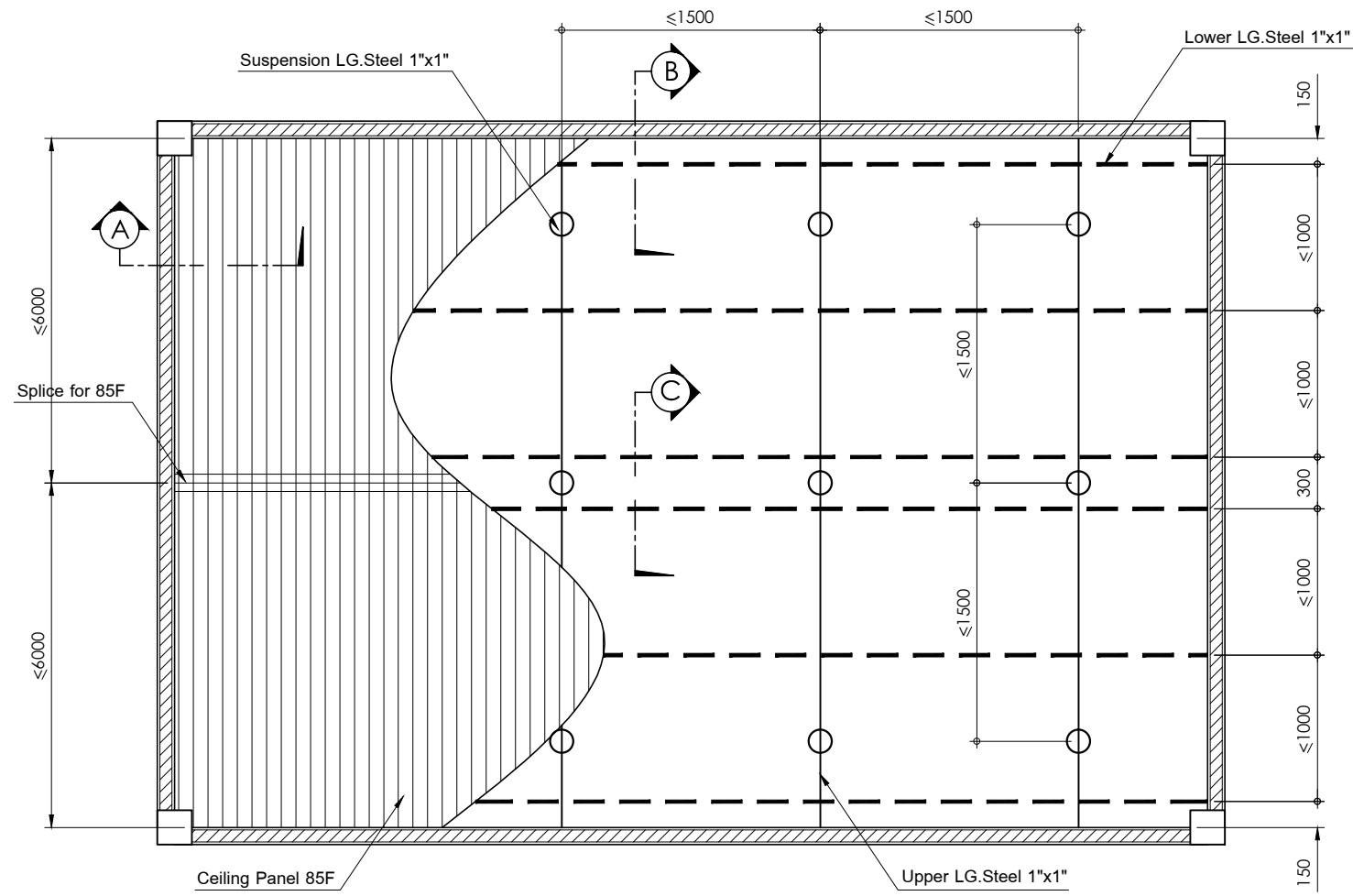
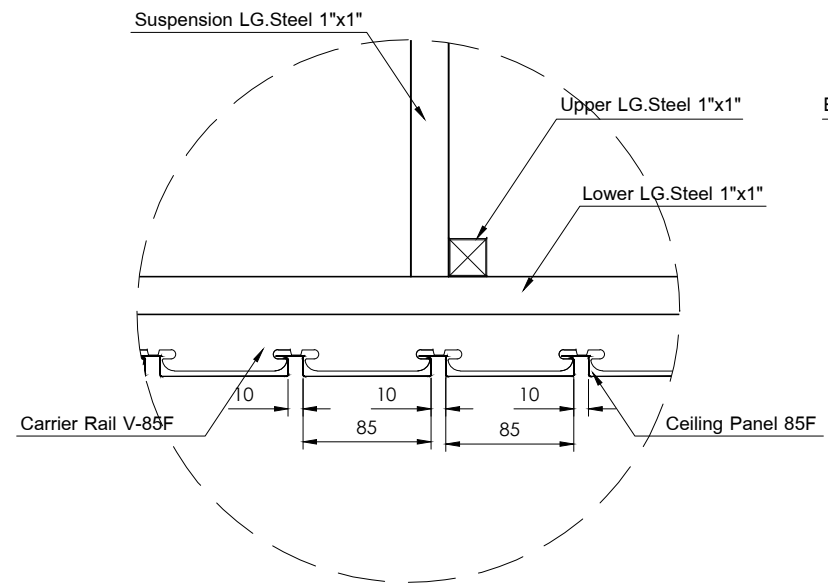


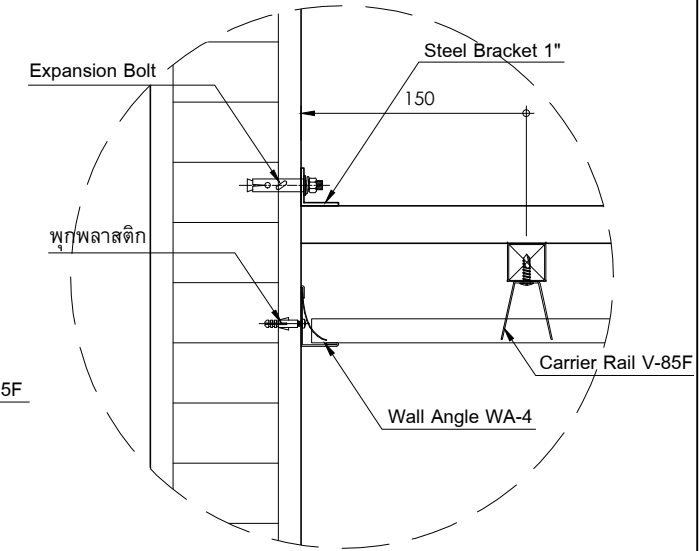
REVISION	DESCRIPTION	DATE	CHECKED
△			



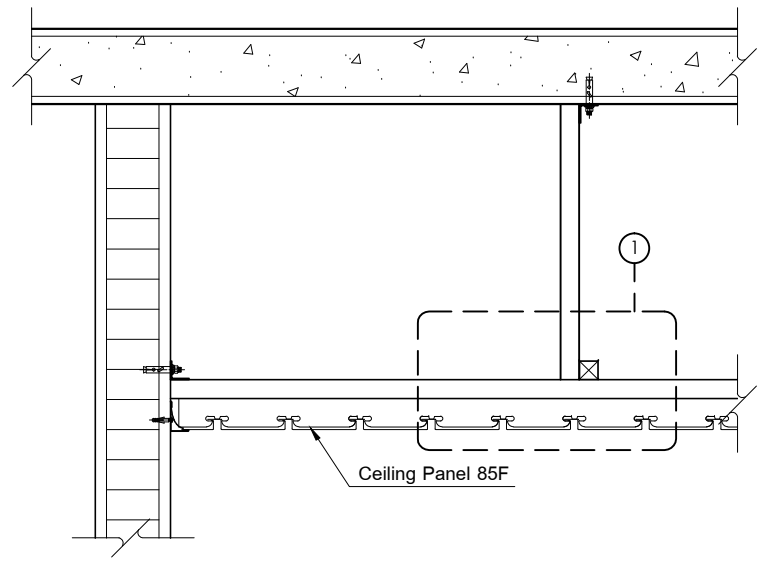
CEILING PLAN
SCALE 1:40



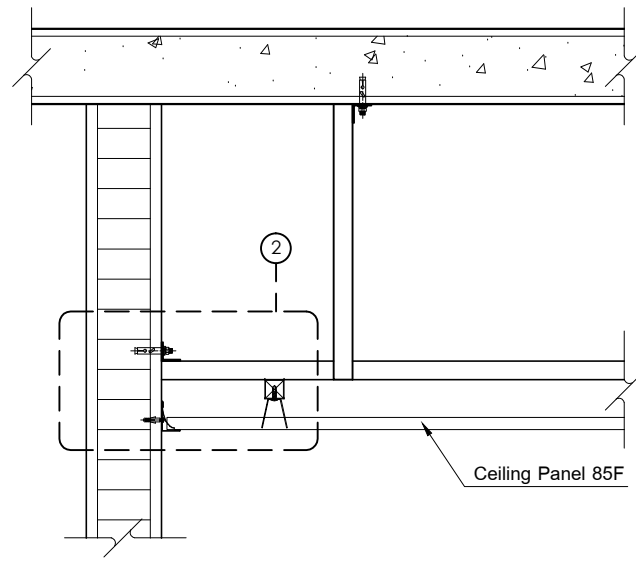
DETAIL ①
SCALE 1:5



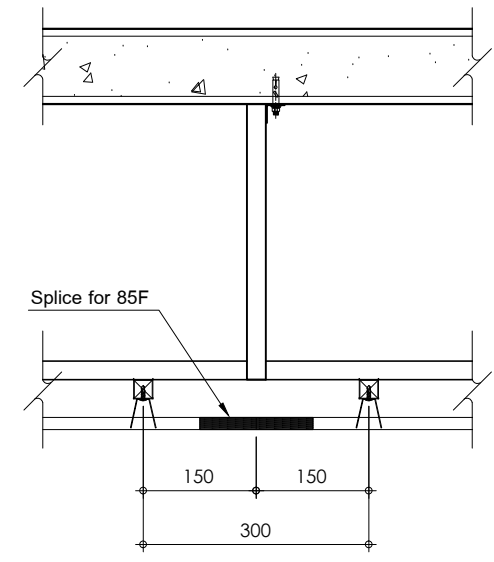
DETAIL ②
SCALE 1:5



SECTION ①
SCALE 1:10



SECTION ②
SCALE 1:10



SECTION ③
SCALE 1:10

<p>Fameline ARCHITECTURAL PRODUCTS WARNING: ALL DESIGN AND DRAWING ARE PROPERTY OF FAMELINE PRODUCTS CO.,LTD. CANNOT BE USED WITHOUT THEIR PERMISSION</p>	PROJECT :	REFERENCE :	CHECKED	DRAWN BY :		DWG. NO.
	STANDARD DRAWING	DSR No. -	BY	ISSUE : 0	DATE : 00/00/0000	00 / SH-00
	TITLE :	Revision : 0	APPROVED	SCALE :	REVISION 0	TOTAL
	LINEAR CEILING 85F		BY (PDM)			0