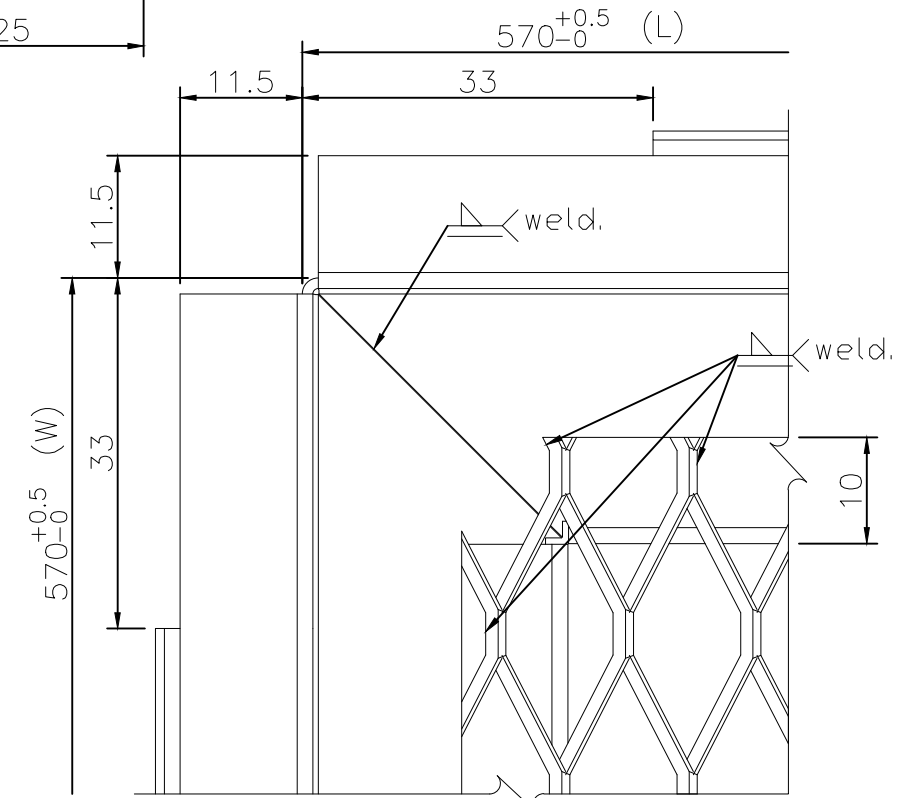


DETAIL 1
SCALE 1:1



DETAIL 2
SCALE 1:1

CODE : 6060EP2-S-XS32
 PART NAME : Expanded Panel
 MATERIAL : Galv. Steel
 SPEC : JIS G3302
 BLANK SIZE :
 THICKNESS :
 COATING : PPC, BE

CODE : 6060EP2-A-XS32
 PART NAME : Expanded Panel
 MATERIAL : Aluminium
 SPEC : 1100 H16
 BLANK SIZE :
 THICKNESS :
 COATING : PPC, BE

REMARK : ขนาดที่ไม่ได้กำหนดพิถีพิถันเพื่อความเผื่อไว้ให้ใช้ค่า ±0.5mm.

TOP VIEW

<p>ARCHITECTURAL PRODUCTS WARNING : ALL DESIGN AND DRAWING ARE PROPERTY OF FAMELINE PRODUCTS CO.,LTD. CANNOT USED WITHOUT THEIR PERMISSION</p>	<p>STANDARD PRODUCTS</p> <p>PRODUCT NAME : Expanded Metal Ceiling System</p>	REVISION	DESCRIPTION	DATE	REFERENCE LIST	DRAWN BY : <i>Arkthomsaeng</i>	DWG. NO.	
		△			REF.DWG -	APPROVED BY	PDM.	DD-149/7
		△			DSR NO. 01		FMR.	REVISION : 0
		△			REVISION 0	DATE : 28/10/05		