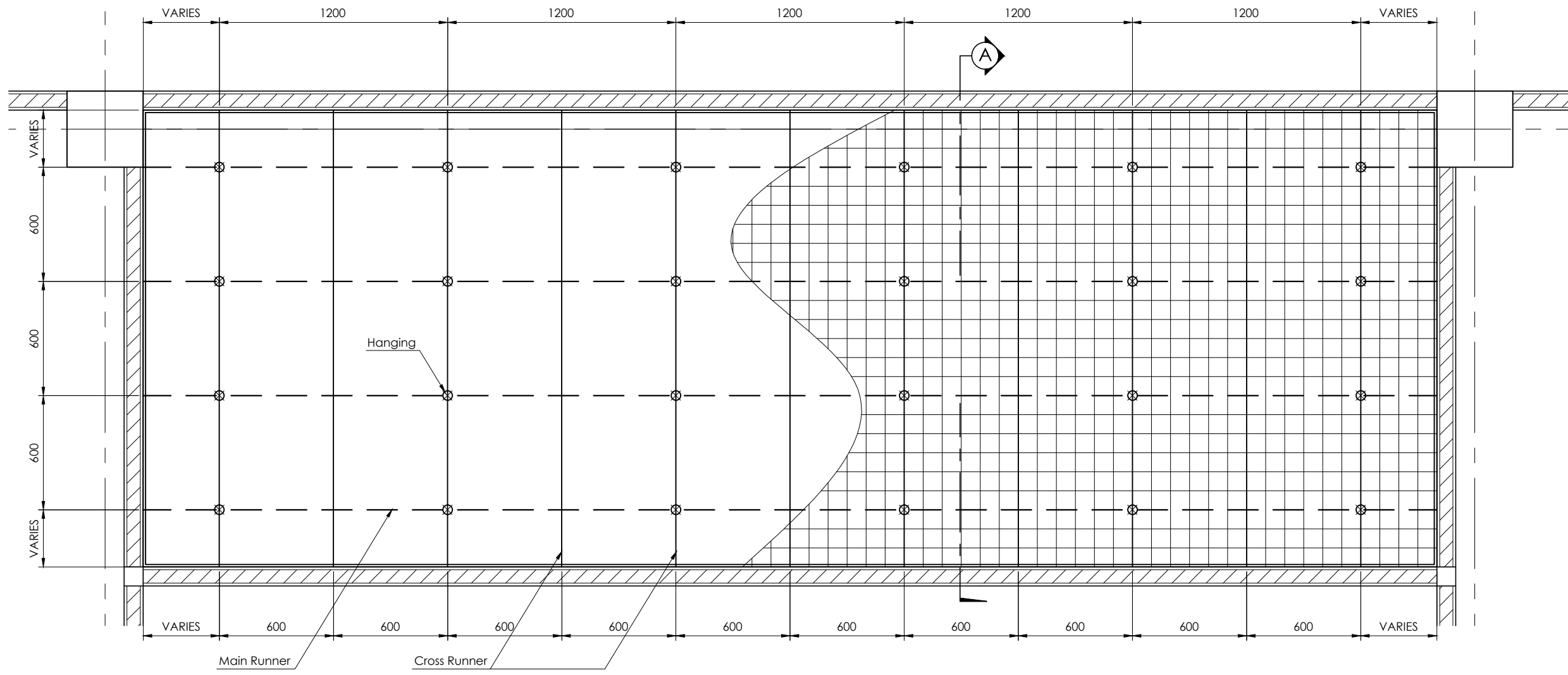
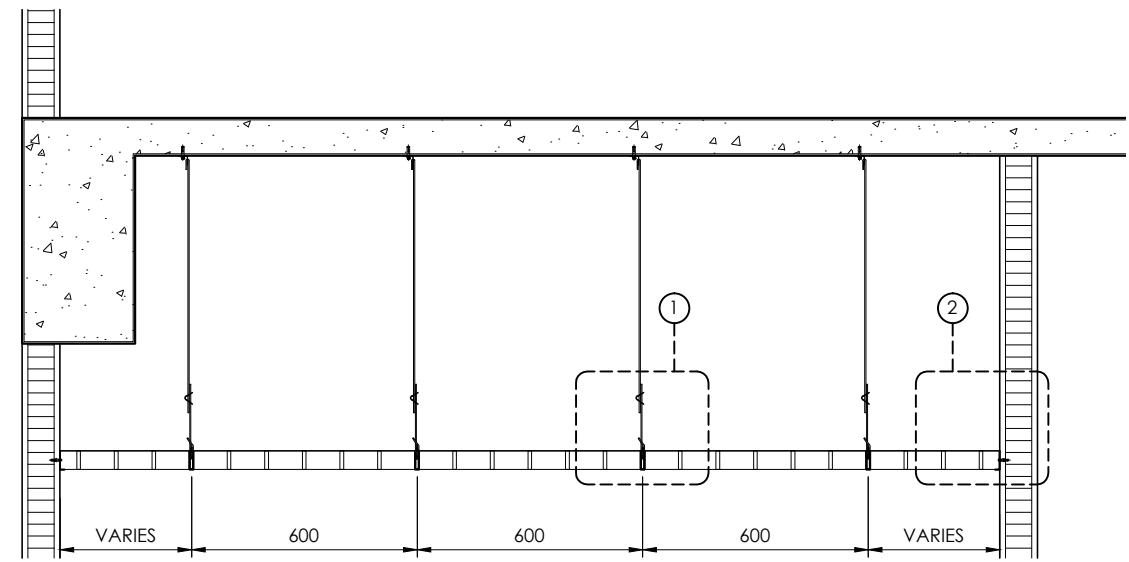


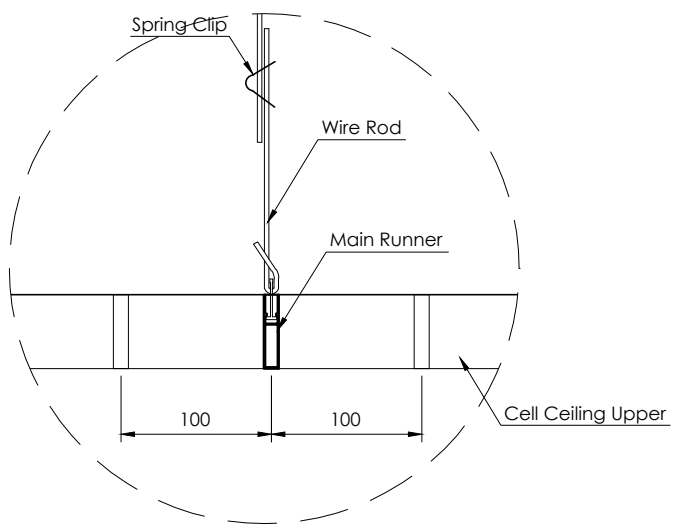
REVISION	DESCRIPTION	DATE	CHECKED
△			



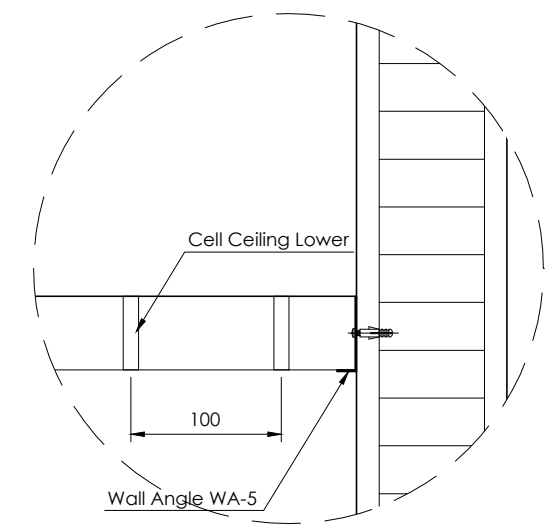
CEILING PLAN
SCALE 1:25



SECTION A
SCALE 1:20



DETAIL 1
SCALE 1:5



DETAIL 2
SCALE 1:5

<p>ARCHITECTURAL PRODUCTS WARNING: ALL DESIGN AND DRAWING ARE PROPERTY OF FAMELINE PRODUCTS CO.,LTD. CANNOT USED WITHOUT THEIR PERMISSION</p>	PROJECT : STANDARD DRAWING	REFERENCE : DSR No. -	CHECKED By	DRAWN BY :		DWG. NO. 00 / SH-00	
	TITLE : CELL CEILING 100CE	Revision : 0	APPROVED By (PDM)	ISSUE : 0	DATE : 00/00/0000	TOTAL 0	
					SCALE :	REVISION 0	